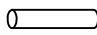

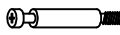


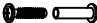

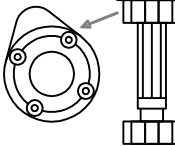


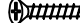
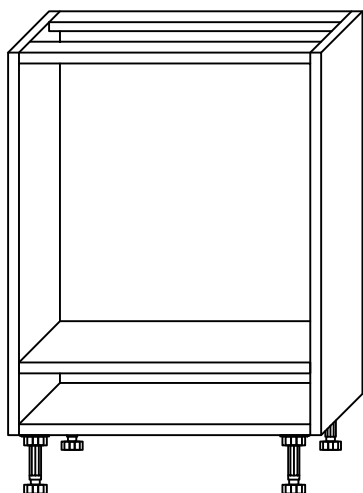
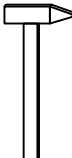

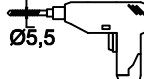
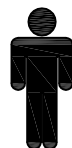


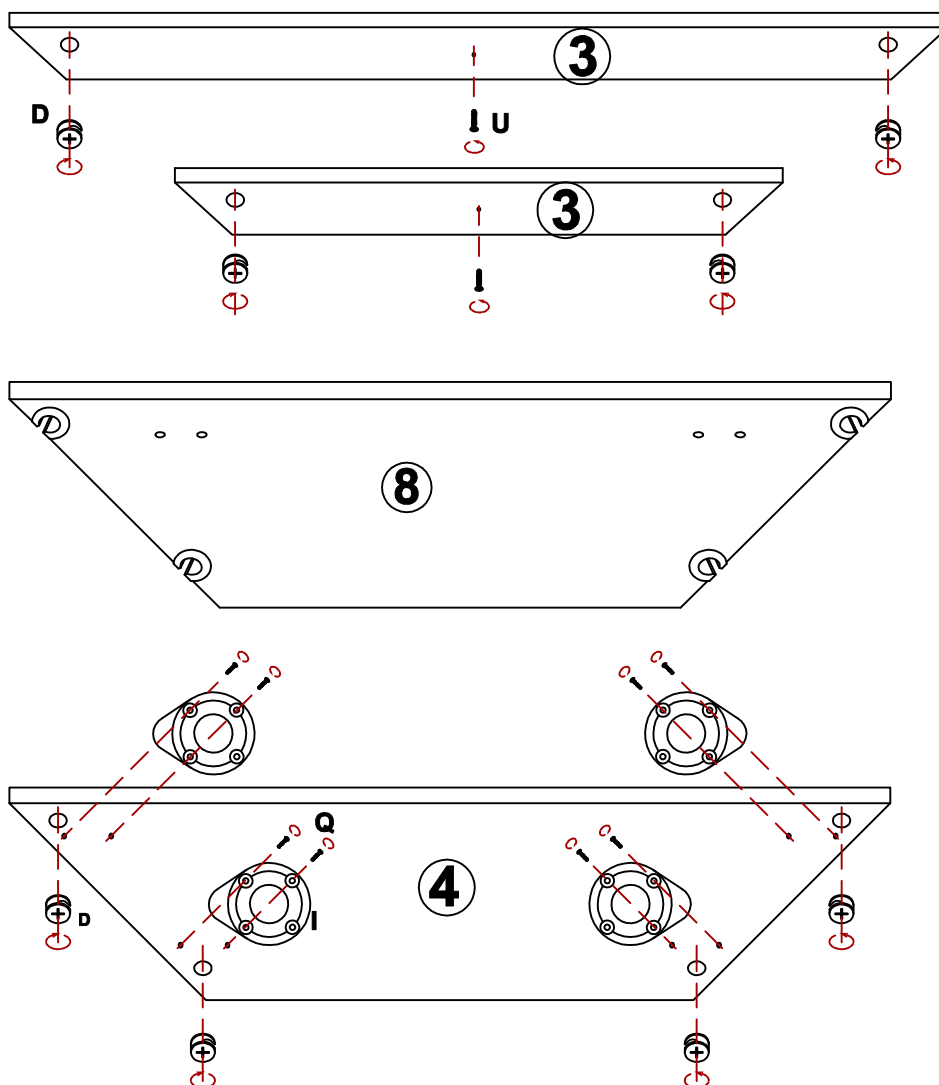


| | | | | | |
|---|---|---|---|---|---|
| | A x12 | B x8 | C x8 | D x8 | F x20 |
| |  |  |  |  |  |
| G x2 | E x4 | I x4 | J x8 | Q x16 | U x2 |
|  | Ø5 / Ø11mm  |  | Ø5 / Ø13mm  | 3,5x16mm  | 4x40mm  |



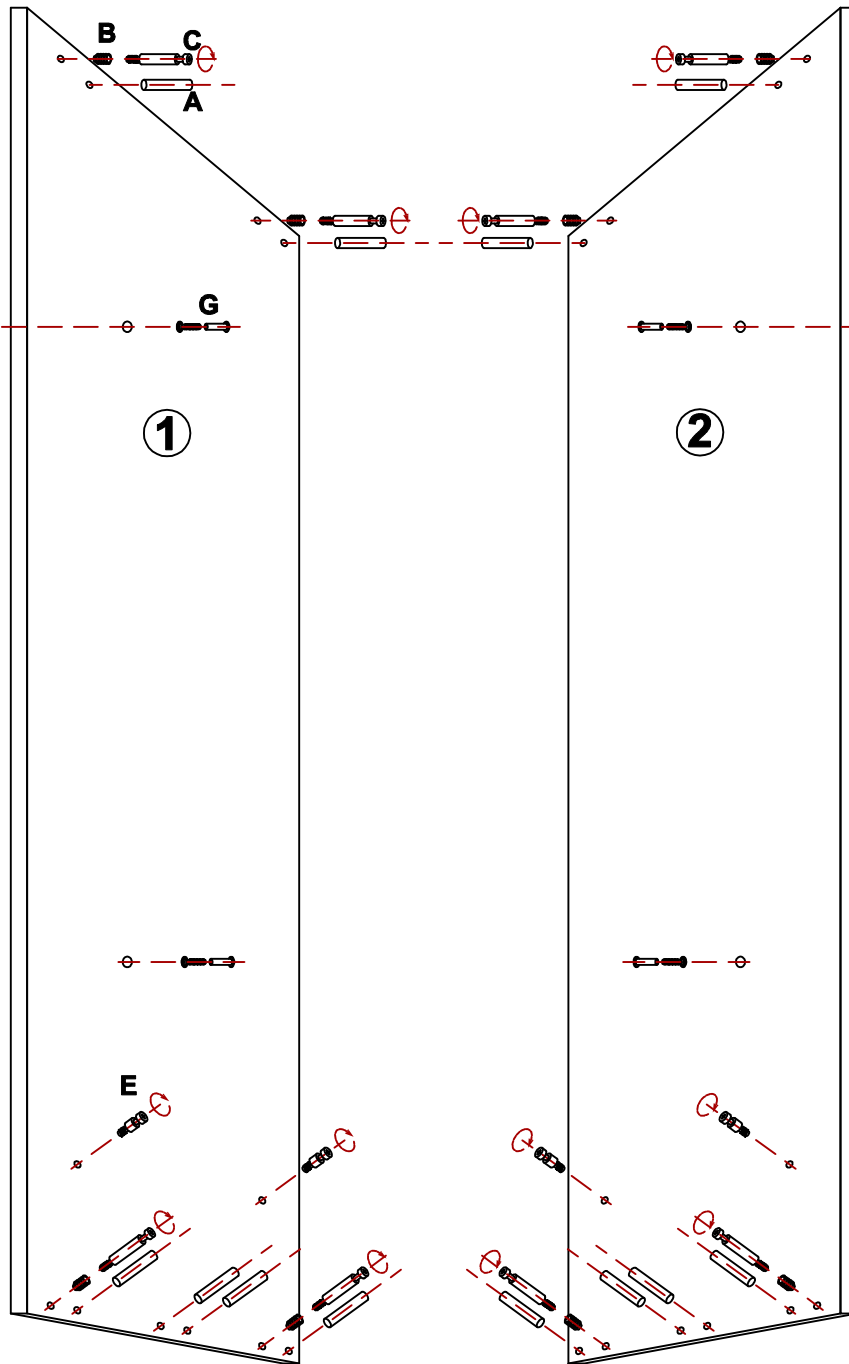
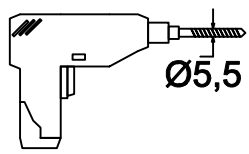
| | | |
|--|---|---|
|  |  |  |
|  |  30 min |  |

1.

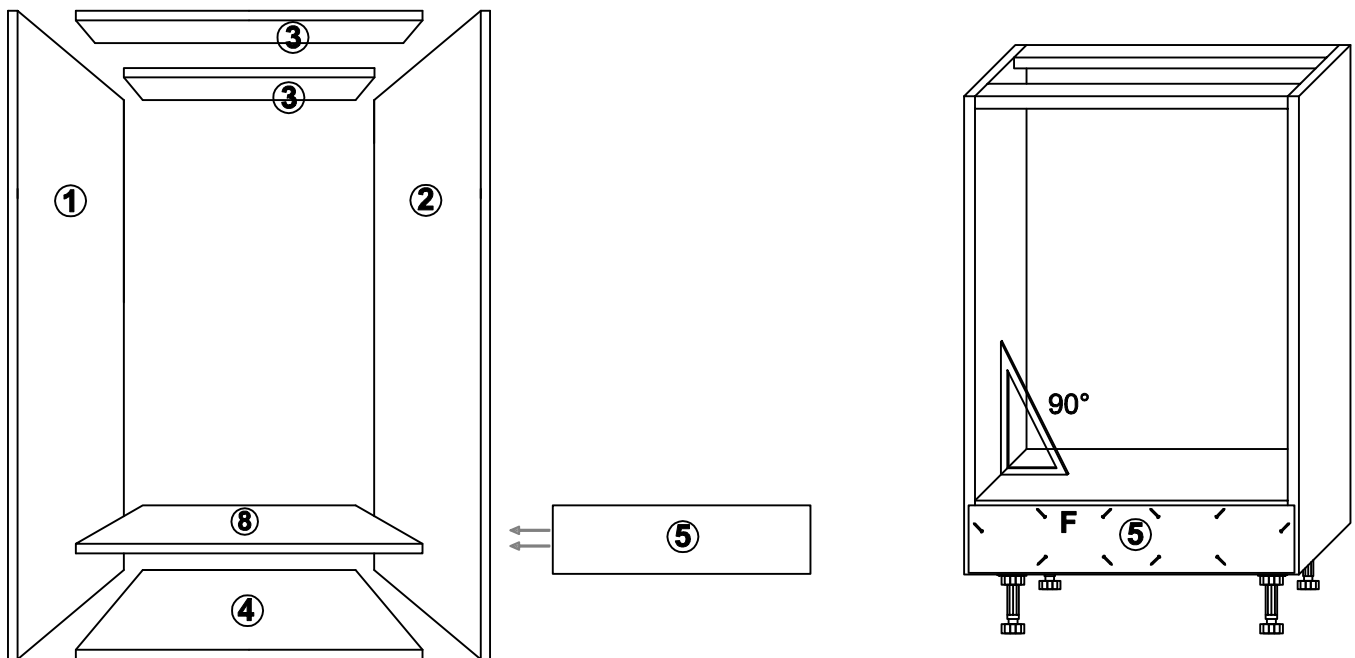


1.

2.



3.



2.